

数字式光照度计

LD383 使用说明书



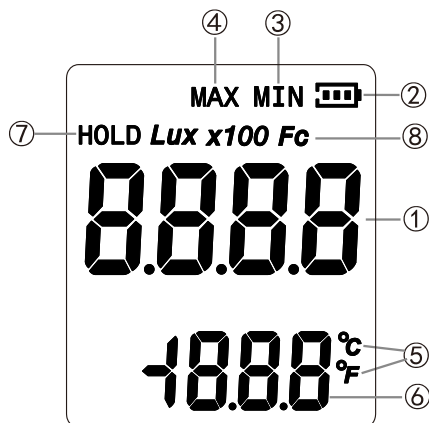
1

在您使用本产品之前,请详细阅读本说明书,它将教您正确的操作方法,以便能发挥本产品优良性能。此光照度计可应用于工厂、仓库、学校、办公室、家庭、路灯建设、实验室等等

一、功能说明

1. 光度测量
2. 光度单位转换
3. 光度数据锁定/最大值/最小值
4. 低电显示
5. 自动,手动关机
6. 温度测量

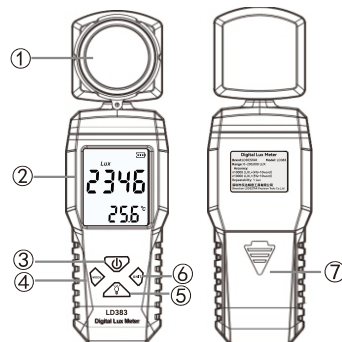
二、LCD显示说明



2

- ①光度值显示区
- ②电池电量符号
- ③光度最小值
- ④光度最大值
- ⑤温度单位
- ⑥温度值显示区
- ⑦数据锁定符号
- ⑧光度单位

三、本产品整体示意图



- ①光照度探头
- ②LCD显示屏
- ③开关机键
- ④锁定数据/最大值/最小值
- ⑤背光开关键
- ⑥单位切换
- ⑦电池盖

3

四、操作前准备事项

1. 使用前,请您打开产品背面的电池盖,正确装上AAA*3节电池。
2. 盖好电池盖并使用。
3. 当电量符号显示[]时,表示此时电池电压已经不够用,请更换新电池再继续使用。

五、操作步骤

1. 开机:按一下[]键开机, LCD显示后进入测量状态,此时可以进行光度测量。
2. 锁定数据/最大值/最小值:在测量状态下,短按一下[MODE]键,可在锁定数据、最大值、最小值和正常测量状态之间切换。
3. 温度单位转换:在正常测量状态下长按一下[UNIT]键,可以在[°C/°F]摄氏度和华氏度之间转换。
4. 光度单位转换:在正常测量状态下短按一下[UNIT]键,可以在[Lux/Fc]光度单位勒克司和呎烛光之间转换。
5. 背光灯:短按[]一下,背光灯开,再短按一下[],背光灯关。
6. 自动与手动关机设置:在正常测量状态下长按[MODE]键持续3秒,进入自动与手动关机设置画面,短按[]开关机键进行手动关机[OFF]与自动关机[ON]之间的切换,直至完成设置,然后长按[MODE]键持续3秒进行保存设置,并退出设置界面。

4

- ①设置选择[ON]模式,启用定时自动关机,保存后,在测量状态下,无任何按键操作5分钟后,自动关机。
- ②设置选择[OFF]模式取消定时自动关机,保存后,需要手动关机。
7. 关机:在正常测量状态下长按[]键直至LCD关闭即可关机。

六、注意事项

1. 请勿将仪器存放在高温,高湿度的地方。
2. 请勿将仪器存放在高浓度盐或硫磺的空气中。
3. 长时间不使用请取出电池,避免电解液漏出损伤本产品
4. 请勿用酒精、稀释液等清洗仪器,用软布沾少量水清洗即可。

七、技术参数

技术参数	
照度范围	(0~200,000 Lux)
测量精度	≤10000 Lux时(±4%rgd±10)
	>10000 Lux时(±5%rgd±10)
照度分辨率	1 Lux
温度范围	-10°C~50°C/14°F~122°F
温度分辨率	0.1°C

5

重复性测试	±2%
更新频率	2次/秒
供电方式	AAA*3节电池
操作环境	0°C~40°C;<80%RH不冷凝
储藏环境	-10°C~60°C;0%RH~90%RH

- ⓘ a 本公司保留对本产品设计规格及说明书内容更新与修改的权利,若有变更,恕不另行通知。
b 旧电池须按照地方法律或规则来处理!



LODESTAR® 乐达®

深圳市乐达精密工具有限公司

地址:深圳市龙岗区坂田街道龙壁工业区10栋二楼

邮箱: lodestar@szlodestar.com.cn

乐达坚持以顾客为本 服务电话:(86-755)8253 3796

6

DIGITAL LUX METER

LD383 User Manual



Introduction

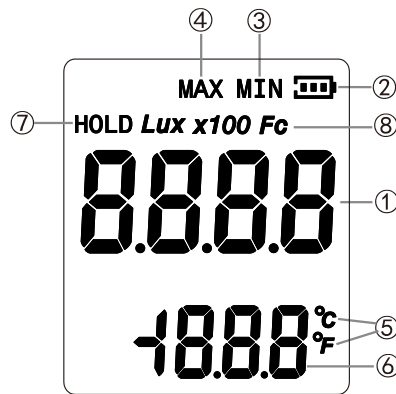
This instruction manual provided the necessary information for how to use it, what need to be careful, what is important notice. To get the maximum performance of this product, please read this user manual in detail before use this instrument, also please keep it in goof place, for later reference

Lux meter are widely used in science and industry. Applications included used in homes, offices school businesses, roadlight construction and lab etc.

1.Features

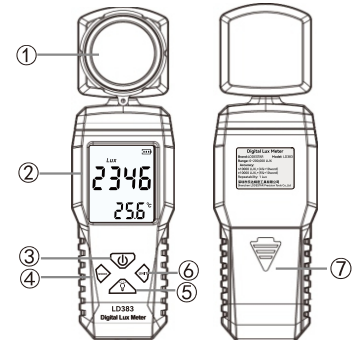
- 1.Measure the Luminosity of any light source.
- 2.Conversion of Luminosity units.
- 3.Date Hold with Maximum and Minimum.
- 4.Low powerindication
- 5.Auto or manual power off function
- 6.Temperature measurement function.

2.LCDscreen description



1. Luminosity reading area
2. Battery Power Icon
3. Minimum Luminosity value
4. Maximum Luminosity value
5. Temperature unit(°C/°F)
6. Temperature Reading area
7. Data Hold icon
8. Luminosity units

3.Outlook of this unit



1. Luminosity Sensor Head
2. LCD Display
3. Power On/Off Key
4. Data Hold (Maximum and Minimum) Key
5. Relative function button
6. Luminosityunit selection.
7. Battery door

4.Preparation before use this unit

- 1.Before use, please open the battery door that located at the back of the unit. Insert three pieces AAA size battery into this compartment with correct polarity
- 2.Close the battery door.
3. If you find the battery power indictor become empty [] , please replace new battery to sure it work fine before use again.

5.OperationInstruction

- 1.Power On: Depress [] key, turn on or turnoff unit power. When power on, you can test the Luminosity measurement.
- 2.Data Hold (Minimum and Maximum Value)At normal measure mode, Depress [MODE] key, frozen the data value with Minimum ,Maximum and real time value in sequentially, screen will show "Hold" icon along with "MAX" or "MIN" icon, depress Hold Key again will release the hold function and "Hold" icon disappear.
- 3.Temperature unit selection(°C/°F) At normal measure mode, depress [UNIT] key more than a second, you can select °C/°F sequentially.
- 4.Luminosity unit selection: At normal measure mode, depress [UNIT] key once, you can select different Luminosity unit [Lux, Fc] in sequentially.
- 5.The backlight will be turn on/off by depress the " " button.
- 6.Auto or Manual power off setup: At normal measurement mode, depress [MODE] key more than 3 seconds, unit will go to "Auto" or "Manual" power off screen, depress [] Key to select "Auto" OFF or "Manual" OFF mode in sequentially. When you selected what you wanted, depress [MODE] Key more than 3 second to save the setting and back to normal measurement mode.

- 6.1 If you selected "ON" mode, that means auto power off selected, if no any key in detected, unit will power off after 5 minutes.
- 6.2 If you selected "OFF" mode, that means you must turn it off by yourself, please turn it off by depress [] key.
- 7.Power Off: At normal measurement mode. depress [] key until LCD screen off, then unit off.

6.SPECIAL NOTICE

- 6.1 Please don't store it at high temperature or high humidity environment.
- 6.2 Please don't store it at high concentration salt or high sulfur environment
- 6.3 If don't use the instrument for a long period, please take off the battery to prevent leakage of battery.
- 6.4 If necessary, wipe the outside surface of the unit, please use the soft, clean cloth. Never use any solvents or cleaning solutions

7.SPECIFICATION

Main unit	
Measure Luminosity range	0~200,000 Lux
Accuracy	<10,000 Lux(+/-4% rgd +/-10 >10,000 Lux(+/-5% rgd +/-10)
Resolution	1 LuX
Temperature range	-10°C~50°C/14°F~122°F
Temperature Resolution	0.1°C

Repeatability	±2%
Refresh rate	2 times/second
Power Source	3 X 1.5V AAA size battery
Operation environment temperature & Humidity	0°C to 40°C:<80% RH(non-condensing)
Storage environment temperature & humidity	-10°C to 50°C:0%~90% RH

Special declaration:

- A. We reserve the rights of the update and amendment of the product design and the manual which are subject to change without further notification.
- B. Dispose of battery should in accordance with local laws and regulations.



LODESTAR® 乐达®
Shenzhen LODESTAR Precision Tools Co.,Ltd
Address:
2nd Floor, Building 10, Longbi Industrial Zone,
Bantian Street, Longgang District, Shenzhen City,
Guangdong Province
Contact number: (86-755)8253 3796
E-mail: lodestar@szlodestar.com.cn

